

# **Instruction Manual**

**Please read this instruction manual carefully  
before operating the unit.**

**Absorption Refrigerator**



## INTRODUCTION

Thank you for purchasing our absorption refrigerator. This unit is designed to improve your living and entertaining comfort. The absorption system refrigerator is a compact, totally silent refrigerator that uses no compressors or fans. Originally developed for commercial use or similar use. With its silent operation and attractive design, you will enjoy the convenience and comfort for years to come.

Please read these instructions carefully before operating this appliance. When using this appliance, always exercise basic safety precautions.

This easy-to-use manual will guide you to getting the best use of your absorption refrigerator.

## REFERENCE INFORMATION

**Please complete the following information for future reference. You will need it to obtain warranty service.**

Model Name\*: \_\_\_\_\_

Serial Number \*: \_\_\_\_\_

Date of Purchase: \_\_\_\_\_

Place of Purchase: \_\_\_\_\_

\*The above information is written on the back of the unit. Retain this Owner's Manual with your sales receipt as a permanent record of your purchase.

## TABLE OF CONTENTS

	<b>PAGE</b>
Introduction .....	1
Reference Information .....	1
Important Safety Precautions.....	2
Installation .....	3
Product Parts and Features .....	4
How to Operate.....	4
Absorption refrigerator Care and Cleaning .....	5
Limited Warranty .....	5
Environmental Protection.....	5
Reversing The Door (Option).....	6
Circuit Diagram .....	6
Slider installation instruction.....	7
12V wiring description and maintenance.....	8

## IMPORTANT SAFETY PRECAUTIONS



**Before** you use your absorption refrigerator, please read this instruction manual carefully.

Use this appliance only for its commercial purpose as described in this owner's manual.

This absorption refrigerator must be properly installed in accordance with the installation instructions before it is used.

Never unplug your absorption refrigerator by pulling on the power cord. Always grasp the plug firmly and pull straight out from the wall outlet.

1) Repair or replace immediately, all electric service cords that have become frayed or otherwise damaged. Do not use a cord that shows cracks or abrasion damage along its length, the plug or the connector end.

2) Unplug your absorption refrigerator before cleaning or before making any repairs.

NOTE: If for any reason this product requires service, we strongly recommend that a certified technician perform the service.

3) Do not operate your absorption refrigerator in the presence of explosive fumes.

4) The power supply must be properly grounded.

5) Do not use an adapter plug or extension cord.

6) Do not use the unit in the immediate surroundings of a bath, shower or swimming pool.

7) Before discarding or storing, we recommend that you remove the door and leave the shelves in place. This will reduce the possibility of danger to children.

8) Do not store food in absorption refrigerator as the interior temperature may not be cool enough to prevent spoilage.

9) The instructions concerning persons (including children) with reduced physical, sensory or mental capabilities, or lack of experience and knowledge and children playing with the appliance are not required.

10) If the power supply is damaged, it must be replaced by the manufacturer, its service agent or similar qualified persons in order to avoid a hazard.

11) Do not try to fix the lamp and open the back guard, refer to agent or manufacturer for help.

12) Maximum loading of each shelf in storage compartment is 8 kg.

13) Maximum loading of door balcony is 5 kg.

14) Sound pressure level at workstation is far below 70dB.

15) AVOID CONTACT WITH STRONG OXIDIZING AGENTS.

## WARNINGS!

- keep clear of obstruction all ventilation openings in the appliance enclosure or in the structure for building-in
- Do not use mechanical devices or other means to accelerate the defrosting process, other than those recommended by the manufacturer.



- Do not use any heat sources, such as candles or heaters, to speed up defrosting.
- Do not damage the refrigerant circuit.
- Do not use electrical appliances inside the food storage compartments of the appliance, unless they are of the type recommended by the manufacturer

## INSTALLATION



**WARNING!** To avoid a hazard due to instability of the appliance, it must be installed according to the instructions.

It is advisable to clean the inside of the absorption refrigerator with lukewarm water using a mild detergent, and then to dry it thoroughly prior to use.

The temperature in the appliance will depend on:

The temperature in the room

The frequency and duration of periods when the door is open.

How many items are in the fridge

It may therefore be necessary to adjust the thermostat from time to time.

**The refrigeration system of the cabinet is designed to operate with the cabinet located on a flat surface. Avoid tilting the cabinet side.**

If the cabinet must be tilted on an angle for handling or moving purposes, allow it to sit in an upright position 20 to 30 minutes prior to plugging it in and starting the cooling of the storage compartment.

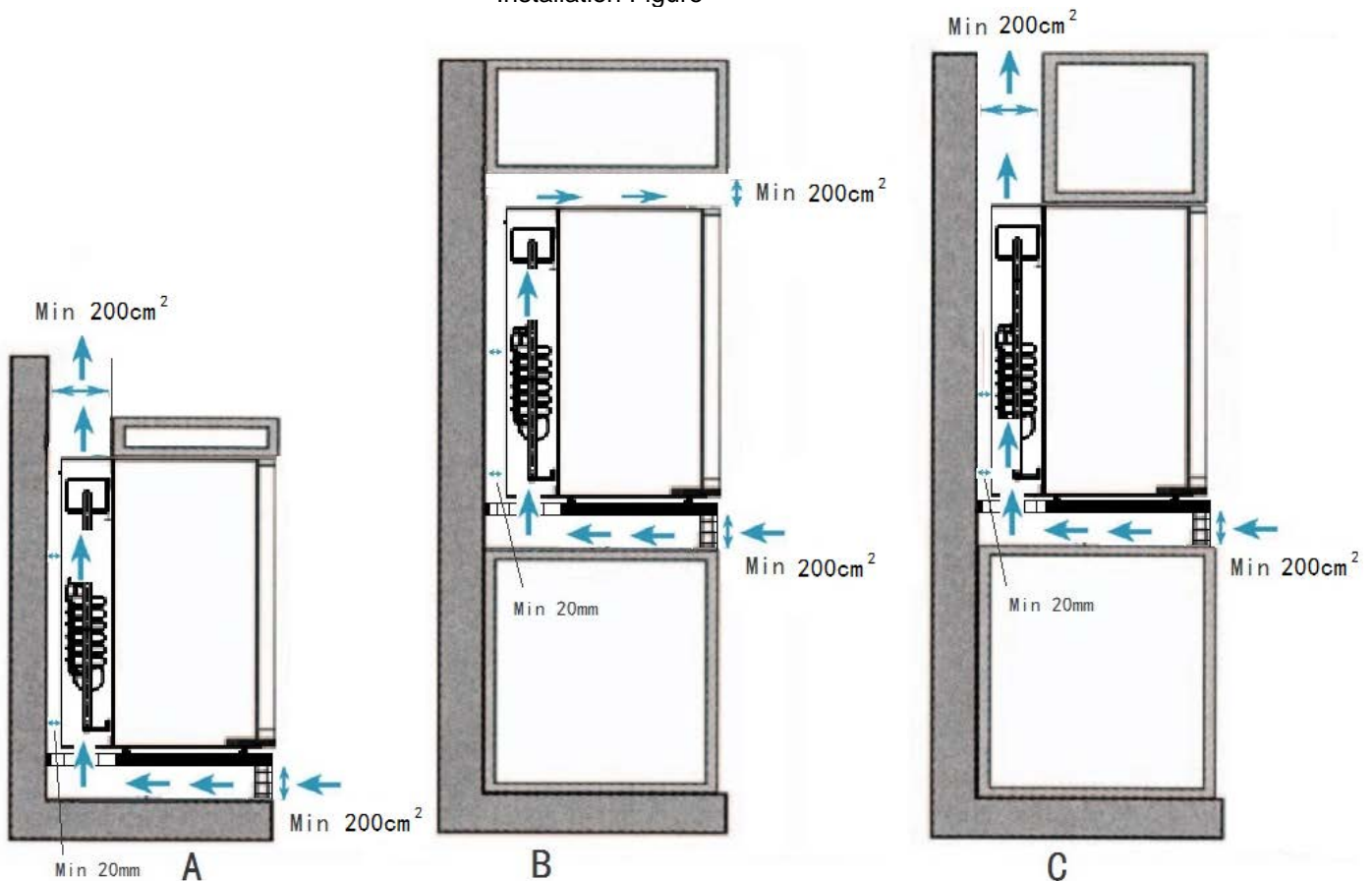
Grounding plug and socket should be provided in accordance with local regulations. The cable-size should meet the refrigerator's requirements. The unit must be connected to proper electrical network, which is shown on the nameplate, through an omnipolar circuit-breaker. To assure the proper function of the refrigerator, please observe the following recommended.

To ensure the circulation, the unit should be kept at 12 cm, away from the wall.

Locate the unit away from direct sunlight. This will enable you to obtain the best performance and save energy.

1. Under no circumstances should the top grid be covered by any object. It will preclude the warm air from circulating.

Installation Figure



## PRODUCT PARTS AND FEATURES



## HOW TO OPERATE ABSORPTION REFRIGERATOR

1. Insert power plug into wall outlet
2. To adjust the temperature turn thermostat knob inside the cabinet.

### Automatic Defrosting

All the models are with automatic defrosting system. When using manual defrosting system, you just turn the thermostat knob to zero position until the accumulated frost melts, then return to normal position.



1, the setting temperature range inside the refrigerator is 0°C to 14 °C. You can turn the thermostat knob to get the temperature you want. Turn the knob clockwise ,you can get lower temperature. Turn the thermostat knob counterclockwise to "OFF" position ,the refrigerator will stop working.

2, the setting temperature range inside the foam door refrigerator is 0°C to 10 °C

3, the setting temperature range inside the glass door refrigerator is 5°C to 14 °C

## ABSORPTION REFRIGERATOR CARE AND CLEANING



Warning: To avoid electric shock always unplug your absorption refrigerator before cleaning. Ignoring this warning may result in injury.

General: Do not use harsh chemicals, abrasives, ammonia, chlorine bleach, concentrated detergents, solvents or metal scouring pads. Some of these chemicals may dissolve, damage and/or discolor your absorption refrigerator.

- 1) Remove the contents of the appliance
- 2) Wipe the inside and outside surfaces with a damp cloth. The addition of vinegar to the water is good for the prevention of mold and fungus.
- 3) Wipe all parts thoroughly after the cleaning.

### IMPORTANT:

When the absorption refrigerator is not in use it must be completely dry inside to avoid mold growth (if possible have the door open).

## LIMITED WARRANTY

As a condition to any warranty service obligation, the consumer must present this Warranty Certificate along with a copy of the original purchase invoice.

### THIS WARRANTY DOES NOT COVER:

- 1) Damage, accidental or otherwise, to the absorption refrigerator while in the possession of a consumer not caused by a defect in material or workmanship.
- 2) Damage caused by consumer misuse, tampering, or failure to follow the care and special handling provisions in the instructions.
- 3) Damage to the finish of the case, or other appearance parts caused by wear
- 4) Damage caused by repairs or alterations of the absorption refrigerator by anyone other than those authorized by the manufacturer.
- 5) Freight and Insurance cost for the warranty service

ALL WARRANTIES, INCLUDING ANY IMPLIED WARRANTY OF MERCHANTABILITY ARE LIMITED TO CLAIMED DURATION. THE MANUFACTURER DISCLAIMS ANY LIABILITY FOR CONSEQUENTIAL OR INCIDENTAL DAMAGES.

## ENVIRONMENTAL PROTECTION



### Environmental Protection

Discarded electric appliances are recyclable and should not be discarded in the domestic waste! Please actively support us in conserving resources and protecting the environment by returning this appliance to the collection centres (if available).

## REVERSING THE DOOR (OPTION)



How to reverse the door

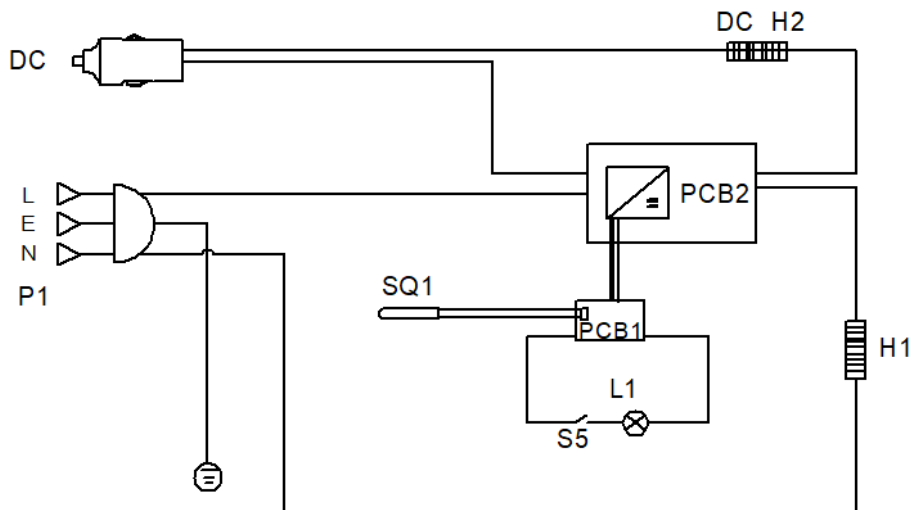
- Remove the lower hinge by loosening and removing the screws with screwdriver.
- Carefully lower the door and remove it.
- Remove the two screws from the left top hinge position, take the metal part off the hinge position.
- Remove the two screws from the right top hinge and take off the hinge, insert the metal part, rivet the two screws thereafter.
- Take off the lower hinge and fix it to the opposite side.
- Take the door. Insert the lower hinge axle into the right bottom hole of the door.
- Fix the spare hinge to the left top position of the cabinet. Adjust the door, make it straight and in alignment with the cabinet.

Note: As the door gasket gets pressed-in during shipment, after reversing the door the gasket might have to be reset. This will be good for seal to avoid any air escaping. If there is a gap between the cabinet and the door gasket, set the gasket by gently pulling it out to seal the gap. If necessary, you are recommended also to use the hair drier to warm the gasket to get rid of the gap.

## CIRCUIT DIAGRAM

For unit with manual defrosting

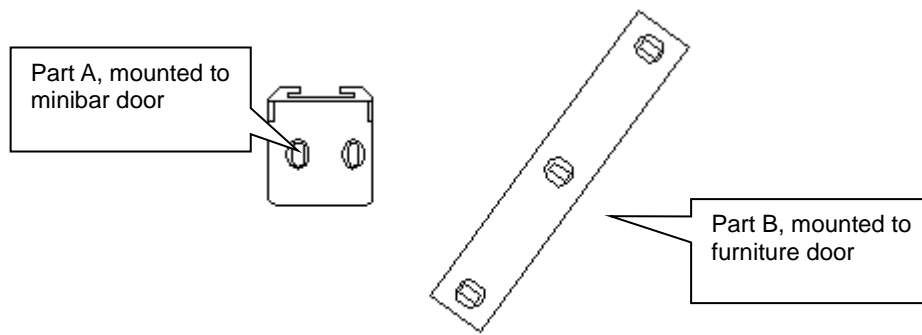
Circuit diagram



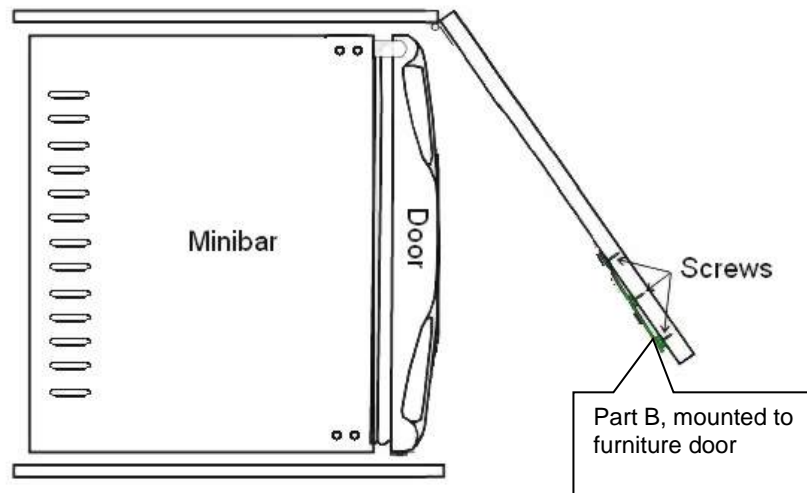
P1	The power plug
PCB1	Temp
PCB2	Power circuit board
SQ1	Thermistor
L1	Lamp
H1	Heating Element
DC H2	Heating Element
DC	12V Vehicle Power Line



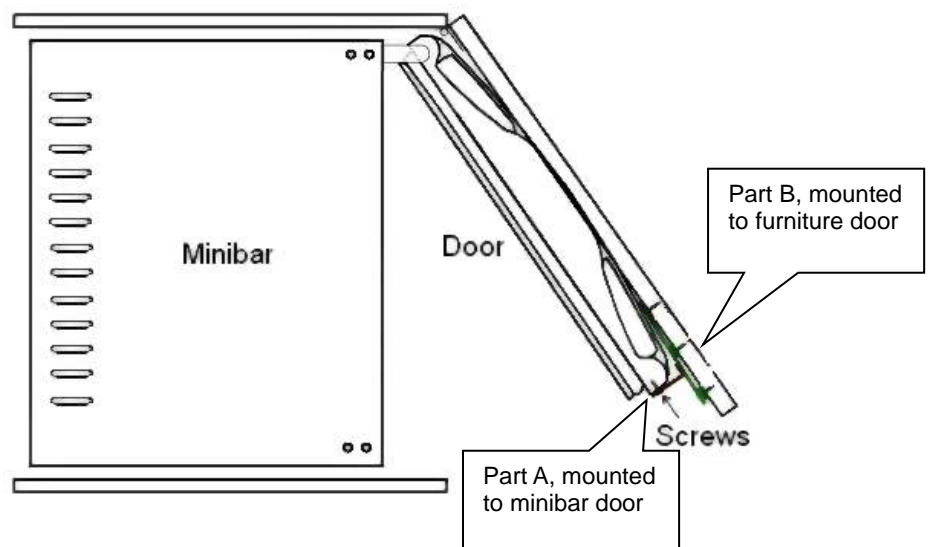
# Slider installation instruction



**Step 1:** Fix Part B onto furniture door with screws. Make sure the thicker end is be in the outside.



**Step2:** Fix Part A onto the minibar door with two screws. Make sure Part A slides well along Part B.



## TROUBLE SHOOTING:

### Trouble shooting

No.	Possible reason	Test method and maintenance	Remark
Step 1	Power input	Check if the power supply inside the hotel room is controlled by the entry card. The minibar needs 24 hours power input. In other cases, the bad socket or poor contact causes the cooling failure.	
Step 2	Ventilation	If the minibar is built inside wooden cabinet, then the cabinet requires good ventilation. Check if there are enough holes both for cold air to get into and hot air to escape. When you open the cabinet door, you feel quite warm air temperature inside, then the ventilation might not be good enough. The air temperature around the minibar should not be higher than 32 degree C.	
Step 3	Levelling	Absorption system requires good levelling. Problem often occurs when the minibar is put on a carpet. Make the minibar level well. In some cases, you can also raise the left two legs by 5mm.	
Step 4	Heating element is broken.	There is no heat rising from the back ventilation grid. Measure the resistance of the heating element with VU meter, you should get around 700 ohms resistance reading.	power off when test
Step 5 (Factory standard setting at level 5)	Thermostat is broken(digital thermostat).	There is no problem for heating element, something is wrong with it if there is no heat rising from the back ventilation grid.	power off when test
Step 6	Cooling system leaks	If the ammonia leaks completely, then the tube over the insulation will become very hot. Do not get scalded when you check it. Probably you will smell the ammonia in case of leakage.	
Step 7	Cooling system is choked.	Everything seems normal, but the unit still does not cool. You can shake the unit left and right for a while. Let it sit normally for 3-4 hours, and then powered on the unit, check if it can cool.	power off when test
Step 8	Cooling system is blocked.	The capillary tube could be also blocked by welding residue or other impurities. You have to replace the cooling unit now.	

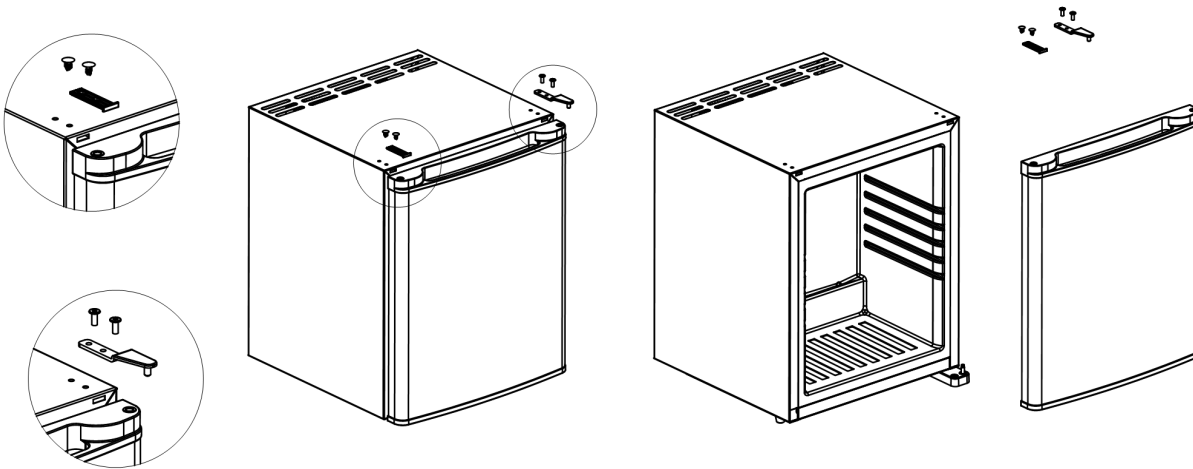
12V wiring description: ONLY 12V, NOT 24V

Before connecting 12V, please keep the fridge level at least 12 hours.

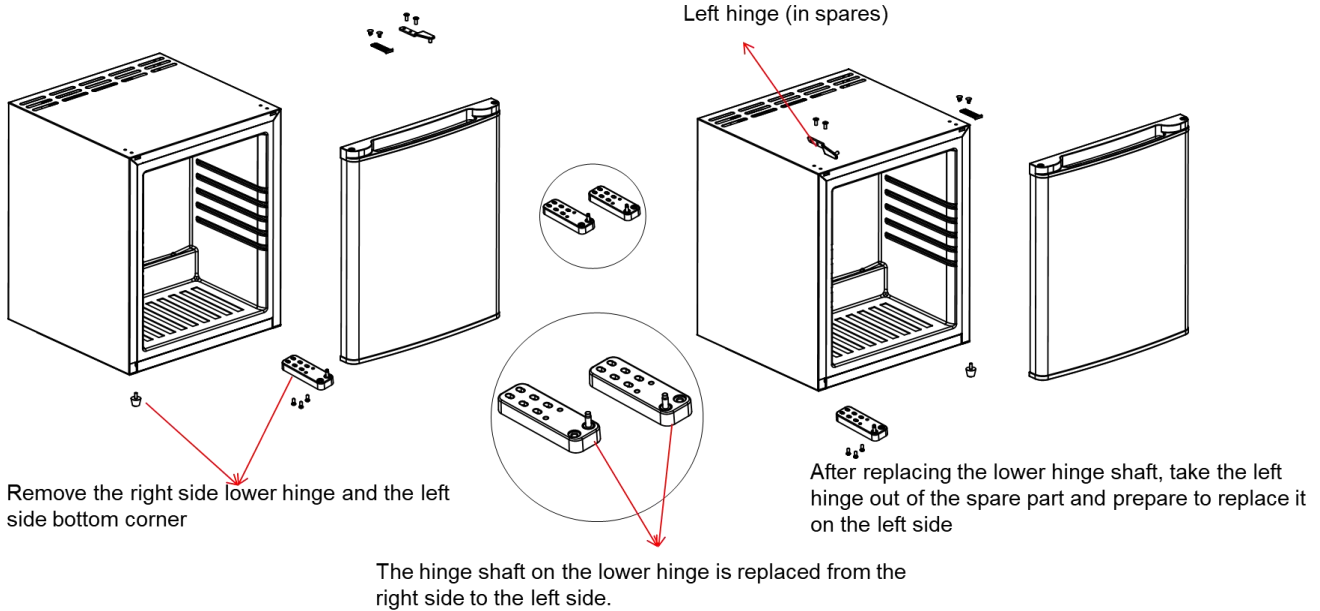
# DOOR REMOVAL & REVERSAL INSTRUCTIONS

## Prepare Phillips screwdriver or Phillips screwdriver power tool

1. Remove the upper hinge and trim panel box, Remove the upper hinges and trim panels with a tool, remove and keep for spare, take the door body off and put it away



## 2. Remove the hinges and bottom corners



## 3. Install the upper left hinge and trim panel first, before installing the door body and lower hinge.

